

FEATURES

- Four analog signal conversion to four SPDT contacts
- 15A/ 120VAC rated contacts
- LED relay position indication
- 24VAC/ DC operation
- Small size 4.25" by 2.19"

APPLICATIONS

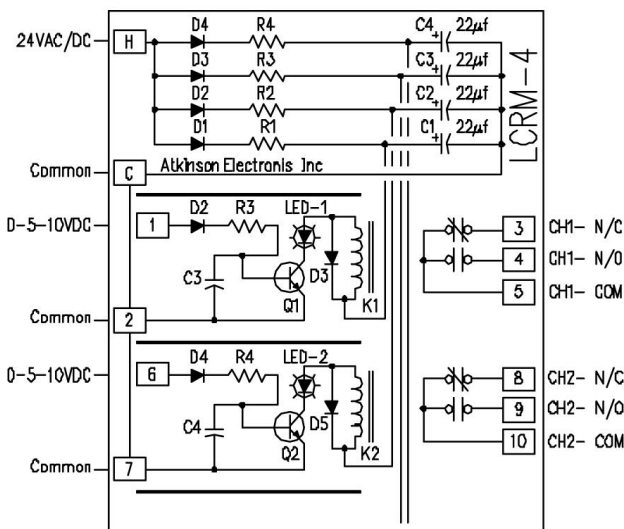
- Analog conversion to on/ off control
- Analog lighting control
- Remote fan start/ stop control

DESCRIPTION & OPERATION

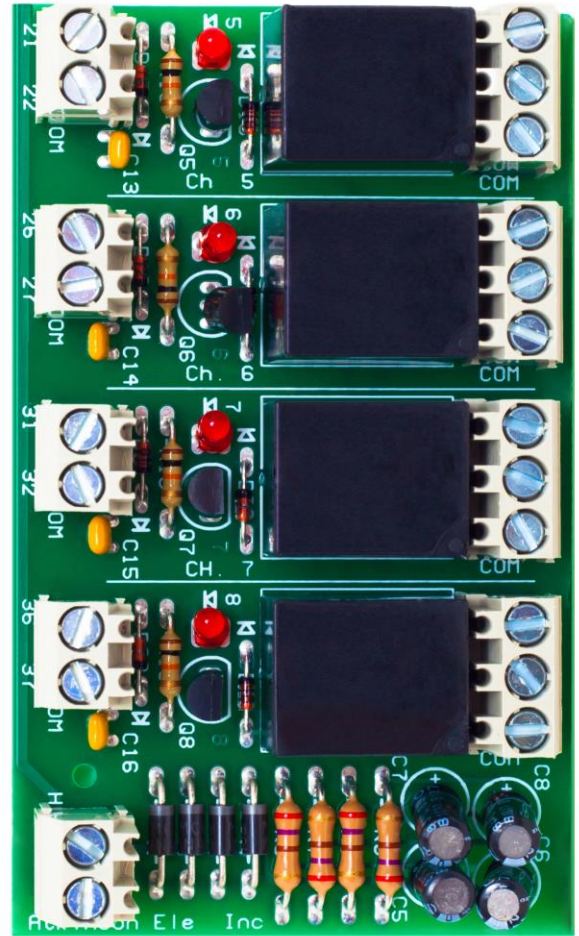
The LCRM-4 is a 4 channel version of the LCRM low current voltage relay module. It is powered by 24VAC or DC and each input accepts an analog voltage signal between 0 to 5V or 0 to 10VDC, or a 1 to 5VDC from a 4 to 20mA signal with 249 Ohm load resistor. The LCRM-4 has a form C relay output rated at 15A @ 120VAC. The LCRM-4 has an LED to indicate when each of the relays is energized.

The input signal drives an analog switch that energizes and de-energizes the relay. The relay will energizes with an input voltage between 4 to 10VDC and de-energizes with an input voltage less than 3VDC. The controller's analog output should be setup for on/off operation.

WIRING CONFIGURATION



LCRM-4 ST



SPECIFICATIONS

SIZE:	4.25"L x 2.19"W x 0.95"H
MOUNTING:	2.187" RDI snap-track (supplied)
POWER:	24VAC 2.1VA 50/60Hz/ or 24VDC @ 120mA
INPUT SIGNAL:	0-5VDC @ 0.40mA 0-10VDC @ 0.90mA or 1-5VDC (4-20mA with 249Ω load)
INPUT IMPEDANCE:	≥ 10KΩ
ACTION:	Make on voltage/ current rise Brake on voltage/ current drop
AMBIENT TEMPERATURE:	0-50°C
RELAY:	Form C with contact rated for: 15A @ 120VAC, 15A @ 28VDC, 10A @ 277VAC Mechanical life >10 million ops.
CONNECTIONS:	4 LCRM-ST 4 LCRM-P
	Wieland terminal series 8192 Screw-cage clamp terminals UL rated 14-30 AWG wire @ 20A .250 Quick connect spades

ORDERING INFORMATION

PHYSICAL CONFIGURATION

LCRM-4/XX

└─ Mounting Option Code

MOUNTING OPTION CODES

- ST Snap track with cage clamp screw terminals
- QC Snap track with .250" quick connect spades

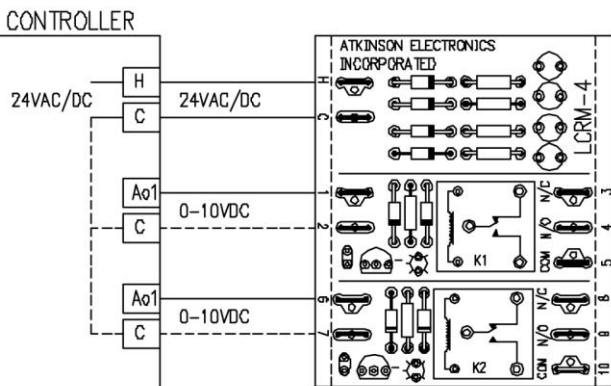
RELAY OUTPUT SPECIFICATIONS

- Relay type: Hasco # KLT1C15DC12
- Contact configuration: 1 Form C
- Contact rating: 15 Amp @ 28VDC, resistive
15 Amp @ 120VAC
15 Amp @ 240VAC
10 Amp @ 277VAC
- Contact material: Silver alloy
- Minimum electrical life: >100K operations (15A, 120VAC)
- Minimum mechanical life: >10 million operations

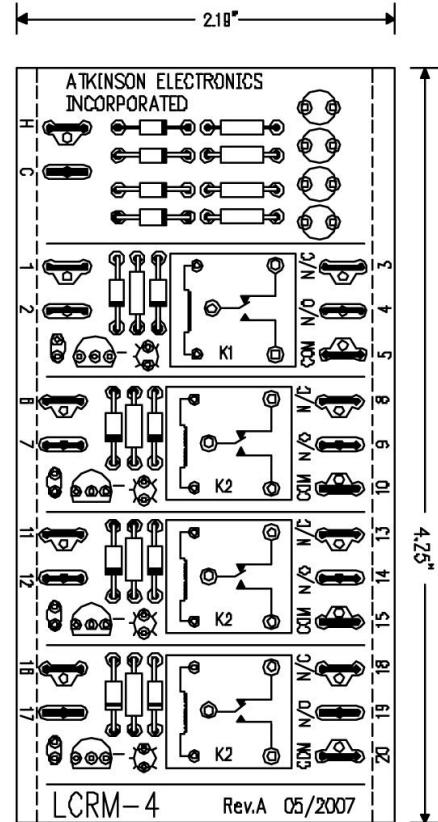
SCREW TERMINAL BLOCK SPECIFICATIONS

- Terminal type: Wieland # 25.191.0453.0
- Connection type: Screw cage clamp
- Connection rating: UL: 15 Amp 14-20 AWG 300VAC
CSA: 20 Amp 14-22 AWG 300VAC

TYPICAL APPLICATIONS



The LCRM and controller use a half wave rectifier in their power supply section. Terminal 4 (purple wire) is common to terminal 2 of the 24VAC input. The LCRM accepts a 0 to 10VDC signal that is set for on/ off operation. The relay's trip threshold voltage is around 4VDC on the input.



LCRM-4 QC

